



EZI REACH

Sliding Cargo Trays

Installation Manual

Congratulations on your new Ezi Reach Sliding Cargo Tray!

Now, let's get it installed so you can start enjoying easy, hassle-free cargo access.

Before commencing installation:

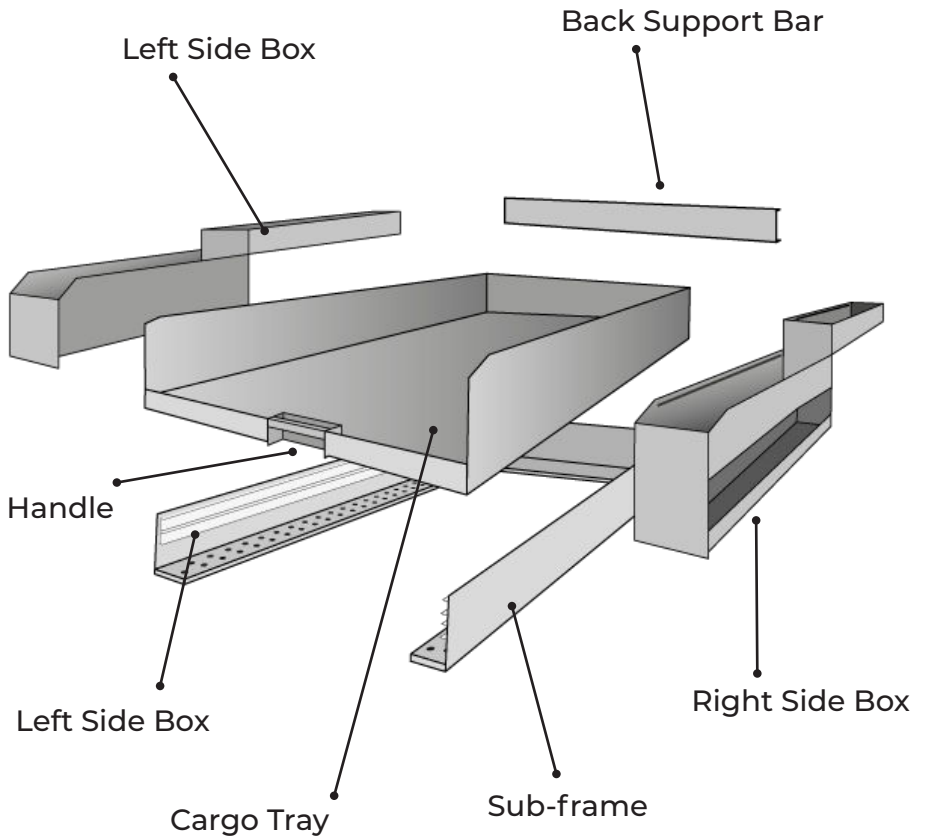
We recommend having two people available for the installation process, this saves time and prevents injuries whilst lifting the product.

Equipment required:

- Cordless drill
- Drill bit
- Tape measure
- Spanner

Optional Extras:

- Rust proof spray paint
- Torch
- Clean cloth
- Garage Creeper
- Safety glasses



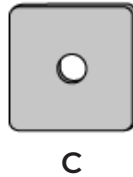
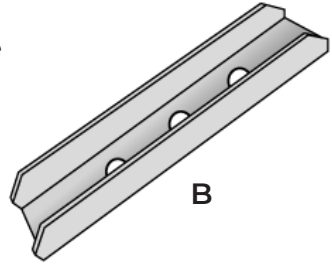
Images are for illustrative purposes only and are not draw to scale

Step 1:

Unpack the tray and remove all of the accessories and hardware included.

Hardware included in the pack to install the tray should be;

- 6x Bolts (A)
- 6x Spreader Brackets (B)
- 6x Washers (C)
- 6x Nylock Nuts (D)
- 2x Rubber Strips (E)
- 6x M/C Washers (F)



Step 2:

Open the box and set the Side Boxes (if applicable) aside for now. Locate the hardware provided and set aside.

Step 3:

Lift or slide the Cargo Tray from the box.

We strongly advise that this step be performed by two people to minimise the risk of injury.

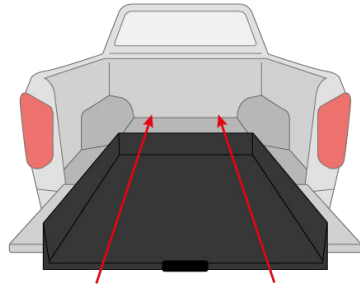


Step 4:

Place the tray onto the vehicles tailgate & carefully slide the Cargo Tray into the tub between the wheel arches.

We strongly advise that this step be performed by two people to minimise the risk of injury.

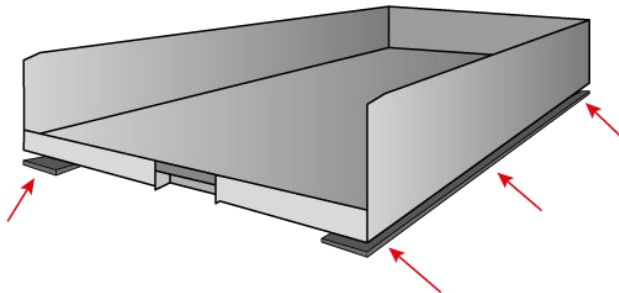
TIP:
We recommend covering your tailgate to prevent damage while positioning the tray.



Step 5:

Place the rubber strips (E) provided underneath the cargo trays sub-frame (this is optional if you have a tub liner). This provides extra stability for the tray.

TIP:
Some vehicles may require an extra half strip of rubber at the tailgate end to lift the front of the cargo tray, ensuring the Cargo Tray clears the tailgate when the tray is extended with a heavy load.

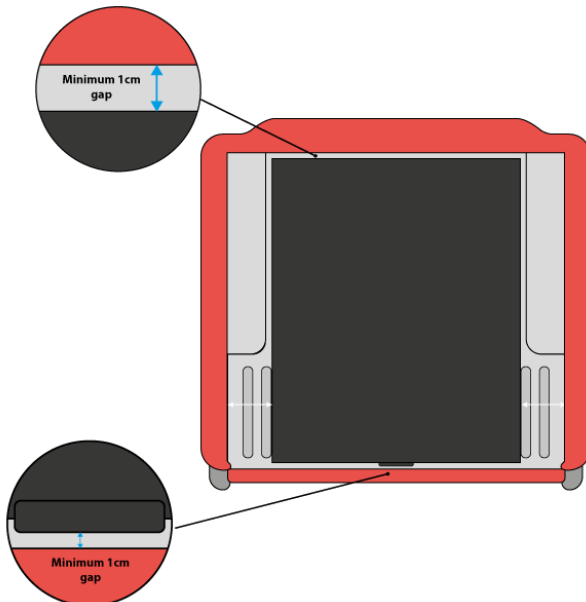


Step 5 continued:



Step 6:

Position the tray evenly between the wheel arches, ensuring it is parallel to the tub. Maintain a minimum clearance of 1 cm between the back of the tray and the back of the tub, as well as at least 1 cm between the tray handle and the closed tailgate.

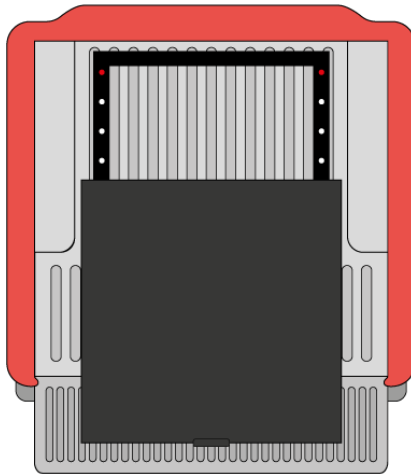


Step 7:

Lift the handle & carefully slide the cargo tray out approximately half way to expose the holes in the Sub Frame.

Select 2 holes (1 on either side of the sub frame) close to the back end of the tray.

Note: A visual check underneath the vehicle is required to ensure these holes don't interfere with wiring etc.



Step 8:

Using a cordless drill and a drill bit, drill a hole straight down through the Sub Frame hole selected.

Tip: Be careful not to move the Cargo Tray or you will need to reposition it.

Tip: Do not drill any other holes until the first set has been securely bolted down.

Warning: Drill slowly and carefully to avoid accidentally damaging any wiring or components that may be located beneath the tub.

Step 9:

Once drilled, remove all swarf and spray the holes with rust proof spray paint to prevent rusting.

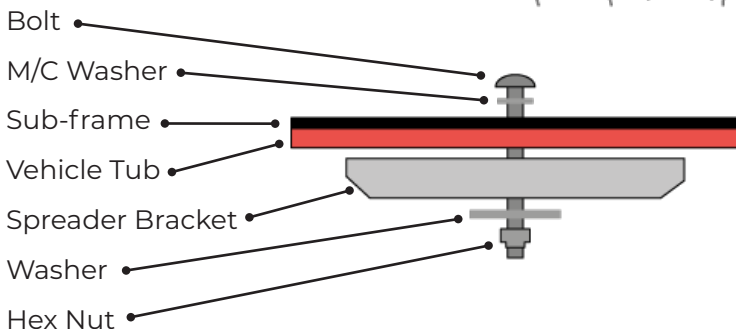
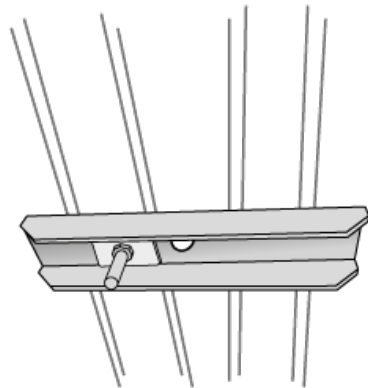
Place the bolts (A) with the M/C washers (F) into the holes from within the tub. From underneath the tub, place the spreader brackets (B) over the bolts and fasten using the washers (C) and nylock nuts (D).

The spreader brackets (B) should be at a 90 degree angle to the tubs ribs.

Tighten the bolts using a drill from the inside of the tub.

Tip: Have a two people; one working in the tub and the other working underneath the vehicle, makes this process much quicker.

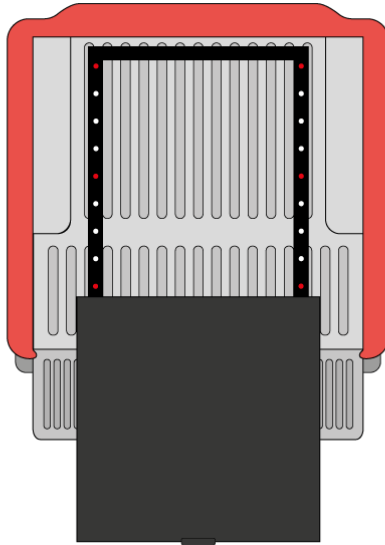
Tip: Some vehicles have extensive under-body components that may limit the space available for the Spreader Brackets. If installing the Spreader Brackets is not feasible, use the provided washers and nuts instead.



Step 10:

Select 2 hole positions towards the middle of the Sub Frame and repeat Steps 7-9.

Carefully extend the Cargo Tray fully and repeat Steps 7-9 for two holes towards the tail gate end of the Sub-frame.



Step 11:

Clean away any swarf from within the tub as this may hinder the movement of the cargo tray.

Test your cargo tray by sliding it in and out of the vehicle a few times. Make sure nothing interferes with the movement, the tray should move freely if installed correctly.

Step 11 Continued:

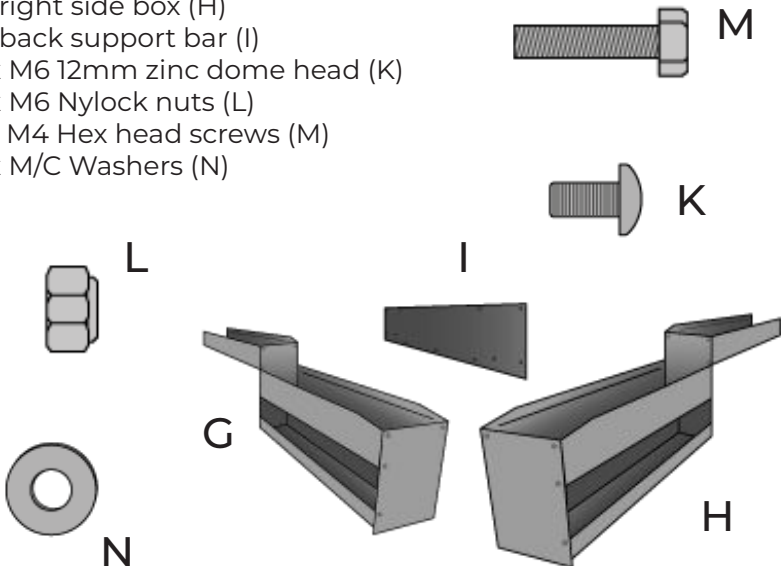
Tip: To operate your cargo tray squeeze the handle and pull the tray towards you. To engage the locking system, simply let go of the handle and the tray will lock into position every 10cm once it's cleared the tailgate.

Side Box Fitting Instructions

We recommended that the cargo tray is fitted to the vehicle before the side boxes are attached.

If Side Boxes were purchased the following should be included in your order;

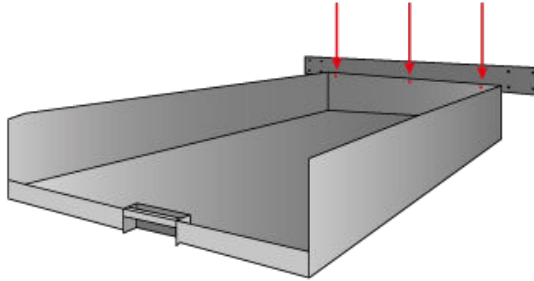
- 1x left side box (G)
- 1x right side box (H)
- 1x back support bar (I)
- 11x M6 12mm zinc dome head (K)
- 11x M6 Nylock nuts (L)
- 8x M4 Hex head screws (M)
- 11x M/C Washers (N)



Step 1:

Extend the Cargo Tray enough to provide sufficient working space.

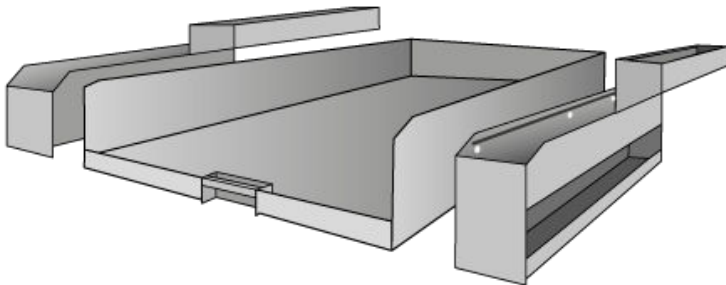
Place the Support Bar on the outside rear of the tray. Loosely install 3x M6 12mm screws (K), 3x M/C washers (N) and 3x nylock nuts (L), ensuring the screw heads are inside the tray.



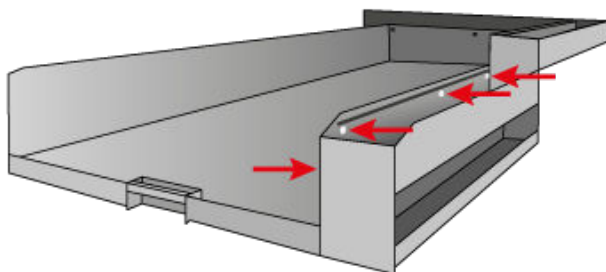
Step 2:

Position the right side box (H) against the outside of the tray on the right hand side. Using 4x M6 12mm dome head screws (K) and 4x nylock nuts (L) loosely attach the side box.

The heads of the screws should be on the inside of the tray.



Step 2 continued:

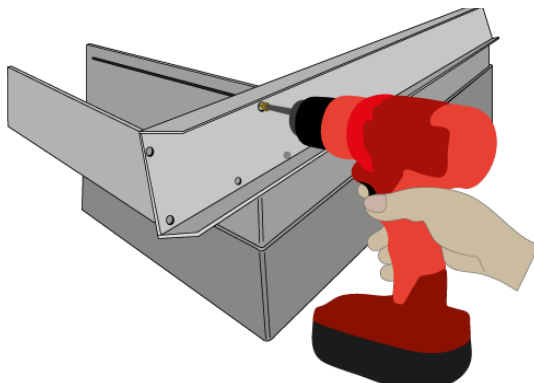


Repeat this step with the left side box (G).

Step: 3

Using a cordless drill, fit 4x M4 Hex head screws (M) through the back of the support bar and into the screw flutes found in the back of the right side box (H).

Repeat this step with the left side box (G).



Step: 4

Check that all parts are aligned correctly and then tighten all the fittings with a cordless drill.

Congratulations!

You've now completed the installation of your Ezi Reach Sliding Cargo Tray.

If you require further assistance to install your tray, please don't hesitate to contact us via our website or email.

www.ezireach.com.au

info@ezireach.com.au